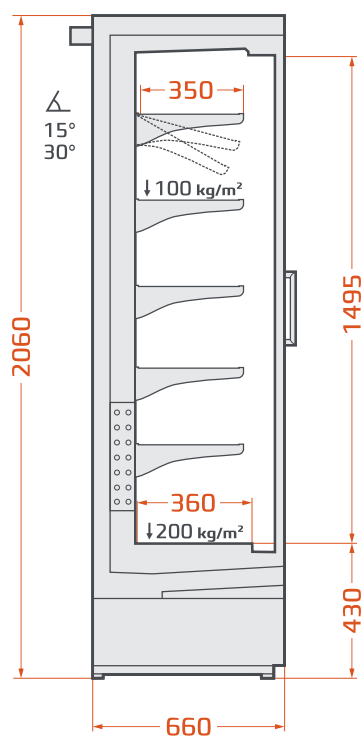
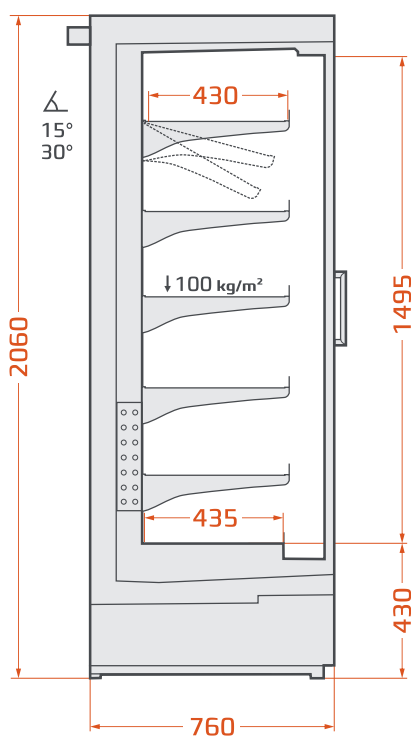


66.206



76.206



86.206

