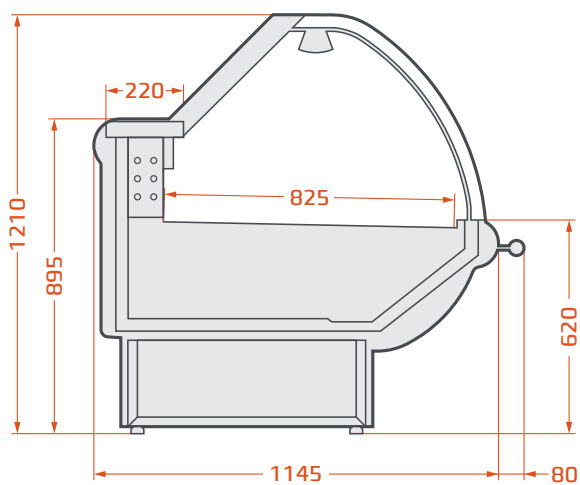
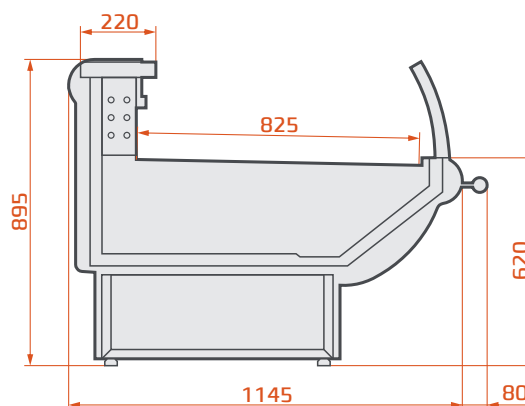


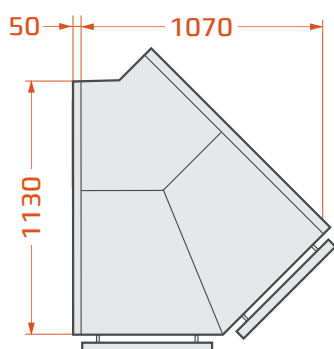
Standard



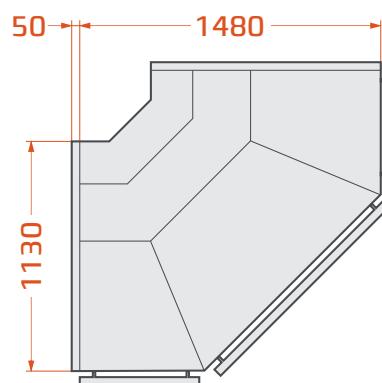
Self



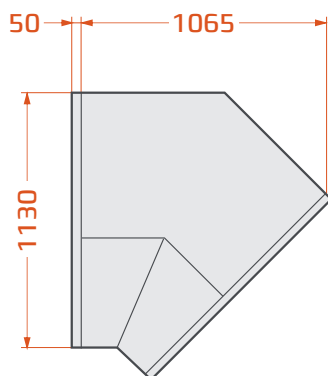
EXT 45°



EXT 90°



INT 45°



INT 90°

