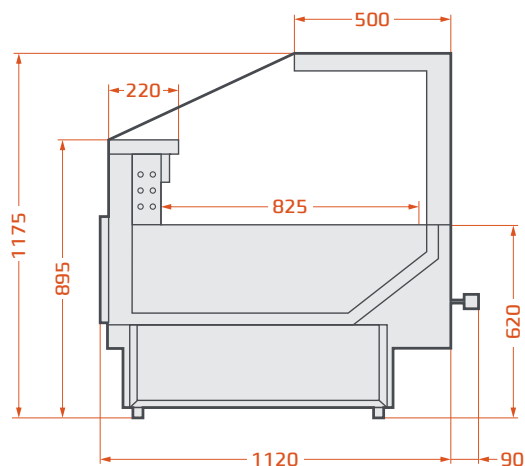
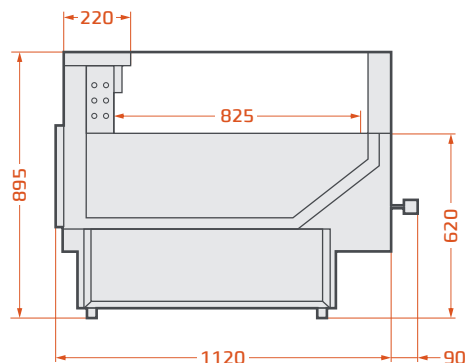


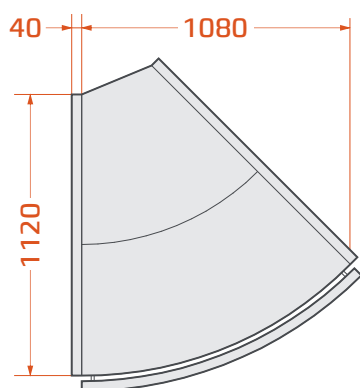
Standard



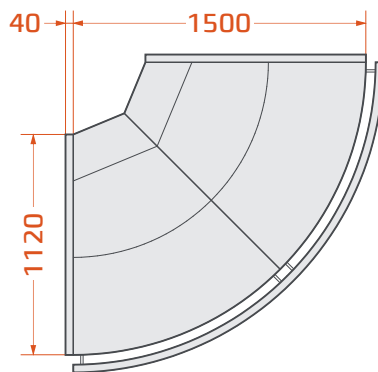
Self



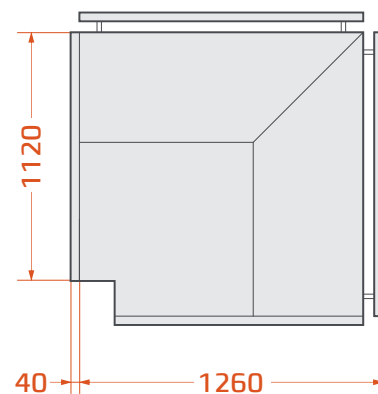
EXT 45°



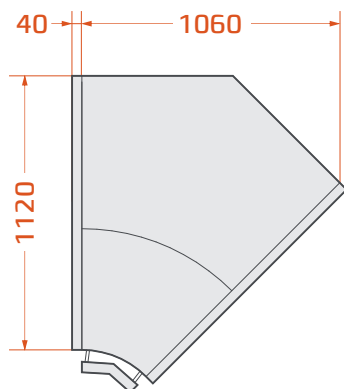
EXT 2x45°



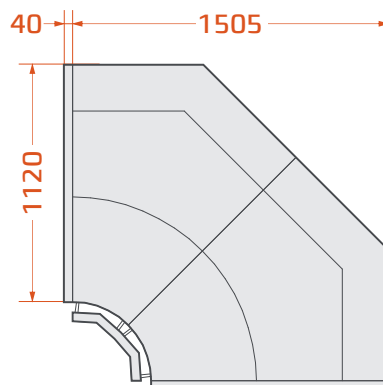
EXT 90° PR



INT 45°



INT 2x45°



INT 90° PR

