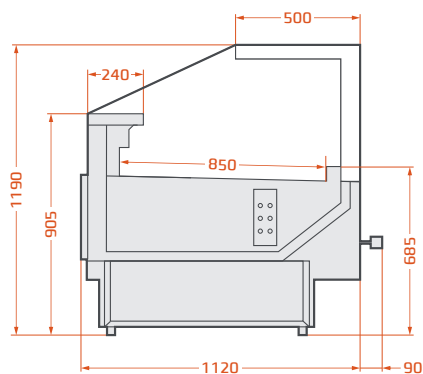
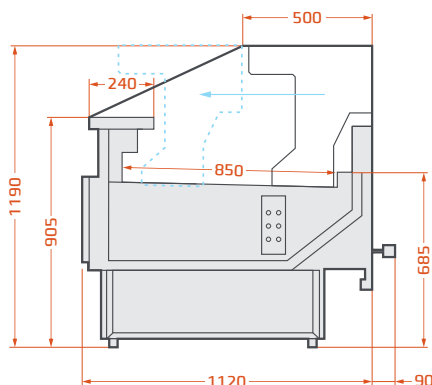


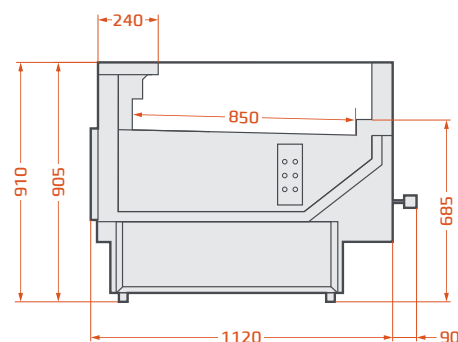
Standard



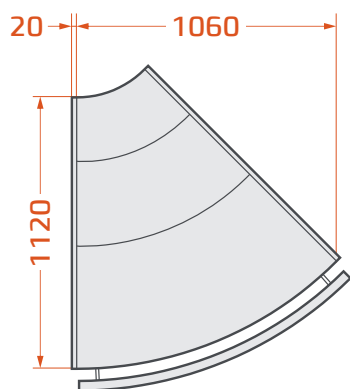
GO



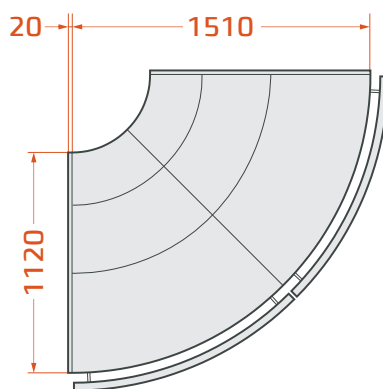
Self



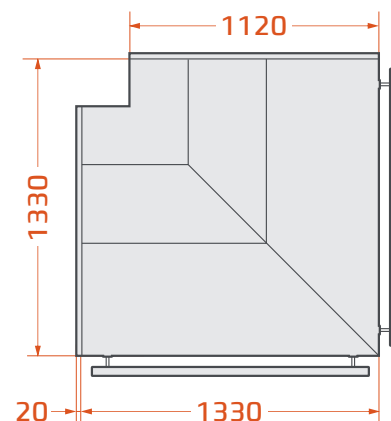
EXT 45°



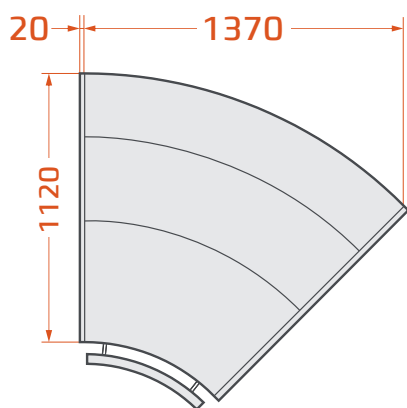
EXT 2x45°



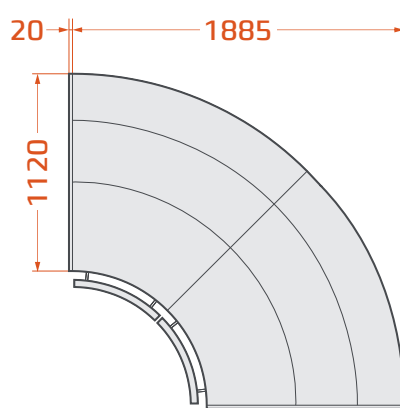
EXT 90°



INT 45°



INT 2x45°



INT 90°

