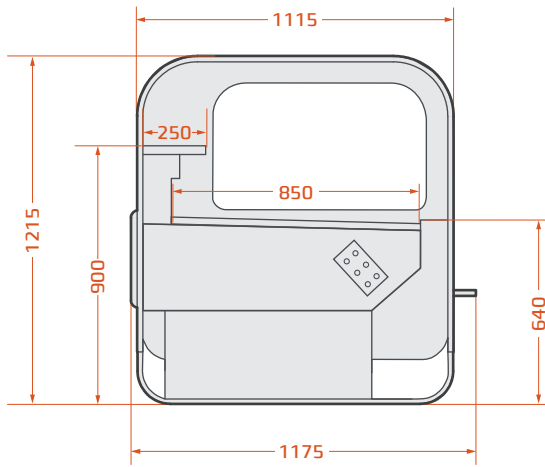
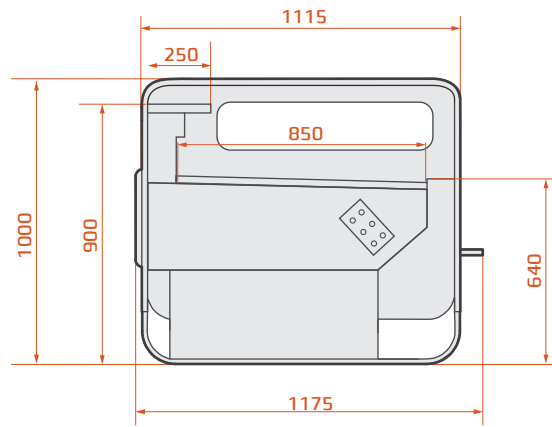


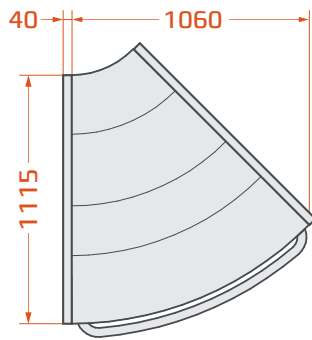
Standard



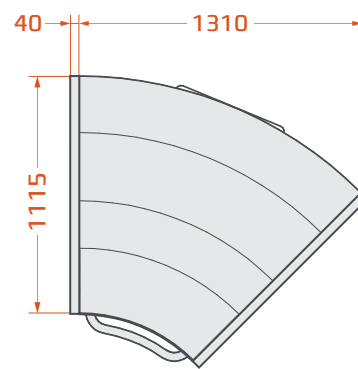
Self



EXT 45°



INT 45°



INT 2x45°

